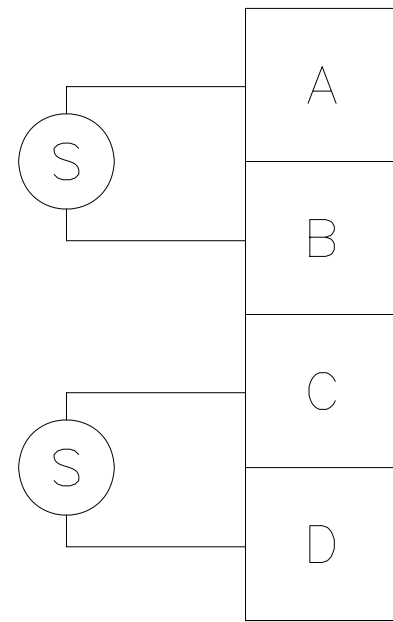


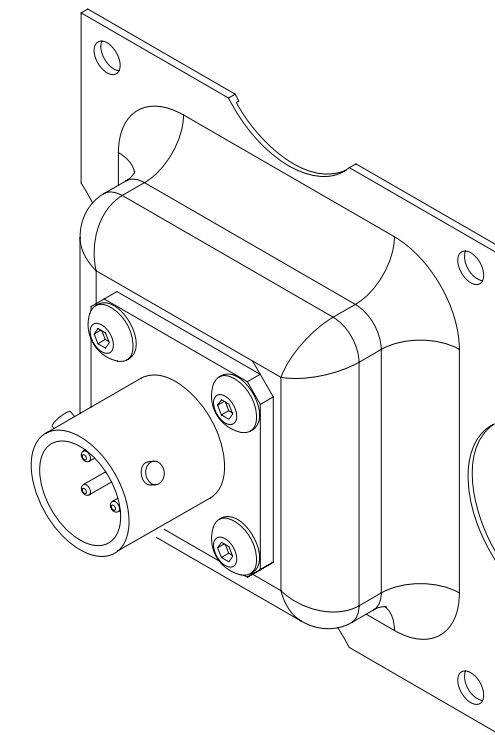
NOTES: UNLESS OTHERWISE SPECIFIED

1. REFER TO DRAWING NO. 9917 FOR SENSOR ASSEMBLY INSTRUCTION. ASSEMBLY DRAWINGS ARE FOR INTERNAL USE ONLY.
2. MANUFACTURED AND INSPECTED IAW AS-9100 QUALITY SYSTEM REQUIREMENTS.
3. REFER TO KIT DRAWING 5-0121 FOR MOUNTING HARDWARE AND INSTALLATION INSTRUCTIONS.

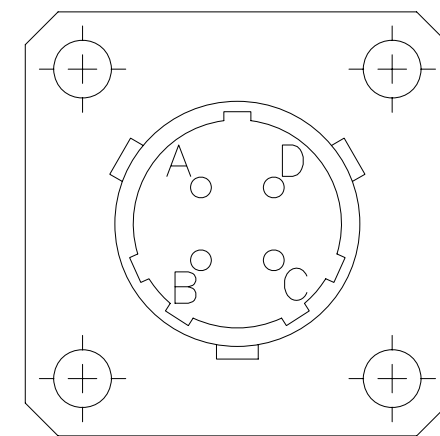
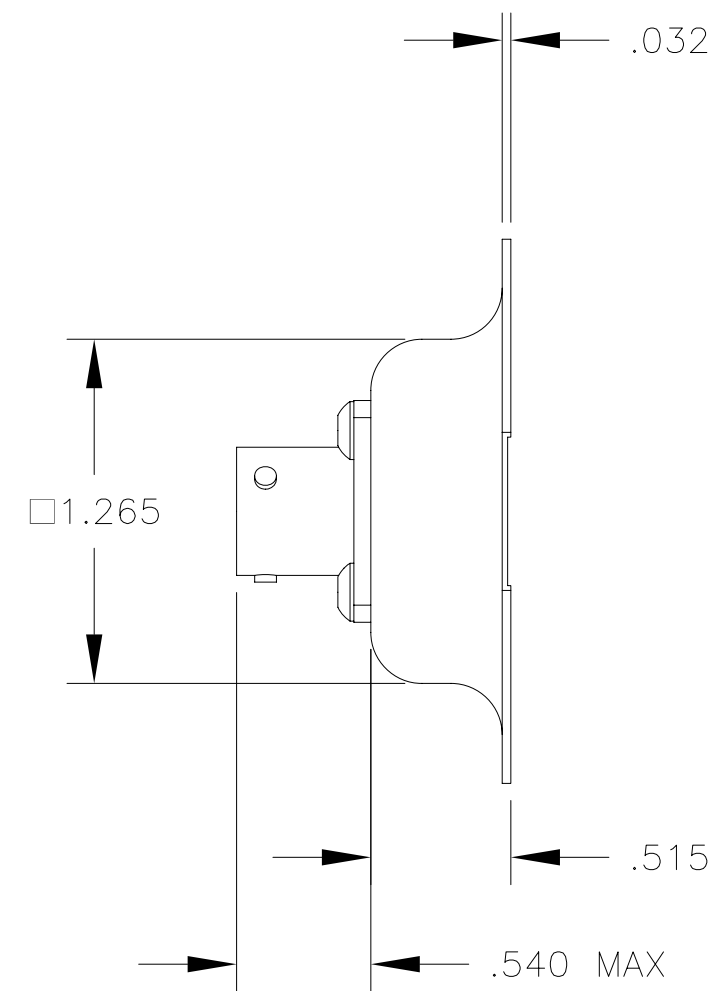
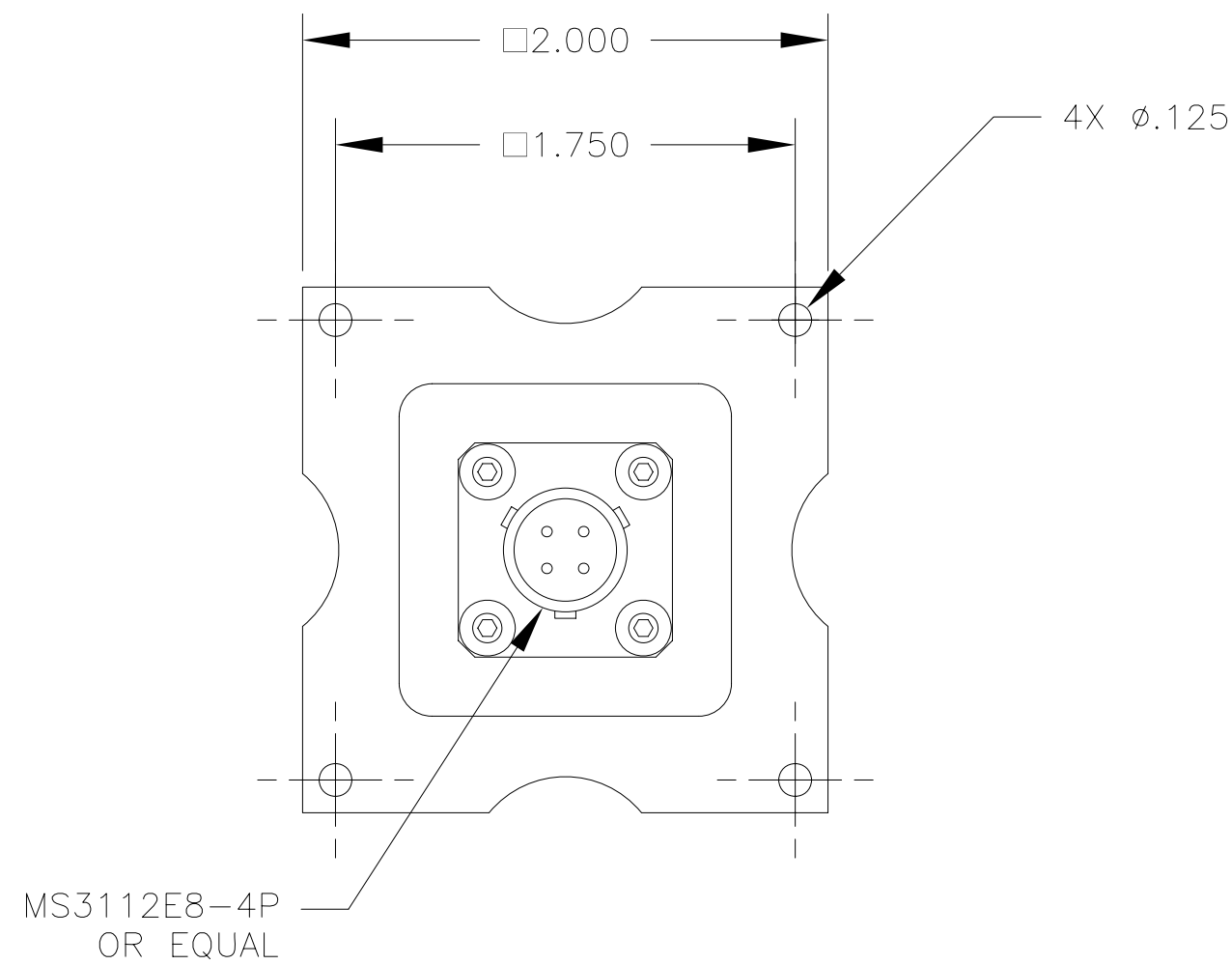
REVISIONS			
REV	DESCRIPTION	DATE	APPROVED
A	REV NOTE 1, 9917 WAS 9915	2/8/05	JBT
B	ADDED NOTES 2, 3 & PN TO ISO VIEW	6/19/13	JBT



SCHEMATIC DIAGRAM



PART NO. TS-C1B



RECEPTACLE
MS3112E8-4P OR EQUAL

ENVELOPE DRAWING

QTY REQD	CAGE CODE	PART OR IDENTIFYING NO.	NOMENCLATURE OR DESCRIPTION	MATERIAL SPECIFICATION	ITEM NO.
PARTS LIST					
UNLESS OTHERWISE SPECIFIED DIMENSIONS ARE IN INCHES TOLERANCES ARE:			CONCORDE BATTERY CORPORATION 2009 SAN BERNARDINO RD, W. COVINA, CA 91790		
FRACTIONS DECIMALS ANGLES ± 1/32 .XX ± .06 ± 1° .xxx ± .015			CONTRACT NO. APPROVALS DATE DRAWN A. MISTRETTA 8/17/04		TITLE TS-C1B TEMPERATURE SENSOR ASSEMBLY
TREATMENT NONE			CHECKED AMIII 8/17/04		SIZE CAGE CODE DWG NO. REV C 63017 TS-C1B B
FINISH NONE			APPROVED JBT 8/31/04		
SIMILAR TO ACT WT CALC WT			ISSUED BT 6/19/13		SCALE 1.33/1 SHEET 1 OF 1