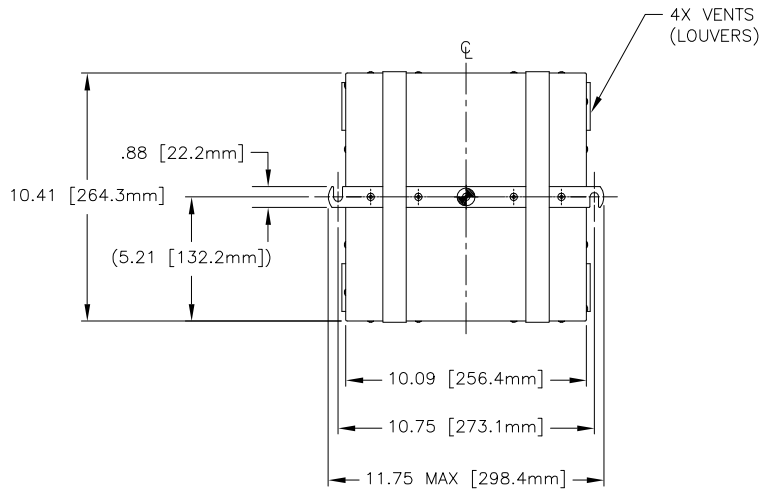


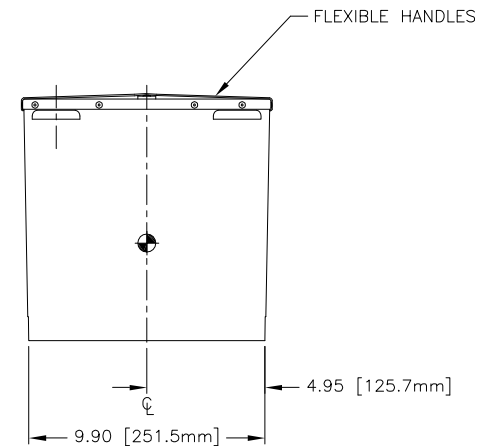
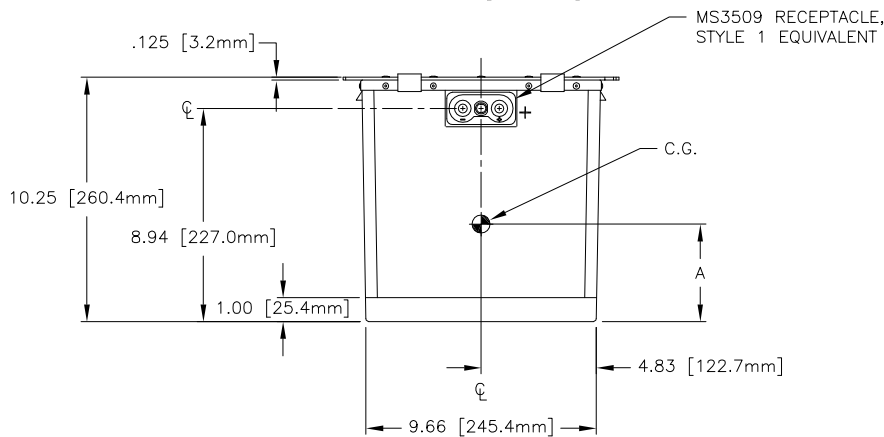
NOTES: UNLESS OTHERWISE SPECIFIED

- ABBREVIATION USED IN TITLE IS: VALVE REGULATED SEALED LEAD ACID (VRSLA).
- BATTERY CONFORMS TO THE DESIGN REQUIREMENTS OF 14 CFR PARTS 23.1353, 25.1353(c), 27.1353, 29.1353(c).
- INSPECT PER FAR 21.303(h) QUALITY SYSTEM.
- "K" SUFFIX DENOTES A "FIRE RESISTANT" EXTERNAL CONTAINER CONSTRUCTED OF 5052 ALUMINUM ALLOY. "KS" SUFFIX DENOTES A "FIRE PROOF" EXTERNAL CONTAINER CONSTRUCTED OF STAINLESS STEEL.
- SEE DRAWING NUMBER CB-00218 AND PROCEDURE P-1000 FOR ASSEMBLY AND TEST INSTRUCTIONS. PROCEDURES AND ASSEMBLY DRAWINGS ARE FOR INTERNAL USE ONLY.
- BATTERIES ARE RATED IAW INTERNATIONAL ELECTROTECHNICAL COMMISSION STANDARD 60952-1 AND RTCA STANDARD DO-293, UNLESS OTHERWISE NOTED.
- DIMENSIONS ARE IN INCH [MILLIMETER].

REVISIONS			
REV	DESCRIPTION	DATE	APPROVED
A	CORRECTED TYPO, NOTE 4	9/12/08	JBT



PART NUMBER	RG-380E/44K	RG-380E/44KS
MAXIMUM WEIGHT	89 LBS [40.4 KG]	91 LBS [41.3 KG]
RATED CAPACITY, C ₁	42 AH	
POWER RATING AT 23°C	I _{pr} 1000 A, I _{pp} 1350 A	
POWER RATING AT -18°C	I _{pr} 750 A, I _{pp} 875 A	
POWER RATING AT -30°C	I _{pr} 600 A, I _{pp} 750 A	
DIMENSION "A" @ C.G.	3.85	



ENVELOPE DRAWING

ENGINEERING COPY 12SEP08

QTY REQD	CAGE CODE	PART OR IDENTIFYING NO.	NOMENCLATURE OR DESCRIPTION	MATERIAL SPECIFICATION	ITEM NO.
PARTS LIST					
UNLESS OTHERWISE SPECIFIED DIMENSIONS ARE IN INCHES TOLERANCES ARE: FRACTIONS DECIMALS ANGLES ± 1/32 .XX ± .06 ± 1° .XXX ± .030			CONCORDE BATTERY CORPORATION 2009 SAN BERNARDINO RD, W. COVINA, CA 91790		
TREATMENT NONE		APPROVALS		DATE	
FINISH NONE		DRAWN A. MISTRETTA		5/12/08	
SIMILAR TO		CHECKED AMIII		5/12/08	
ACT WT		APPROVED JBT		5/13/08	
CALC WT		ISSUED AT		9/12/08	
TITLE BATTERY, VRSLA, 24 VOLT, RG-380E/44K(S) SERIES			SIZE C	CAGE CODE 63017	DWG NO. RG-380E/44K
SCALE NONE			REV A	SHEET 1 OF 1	