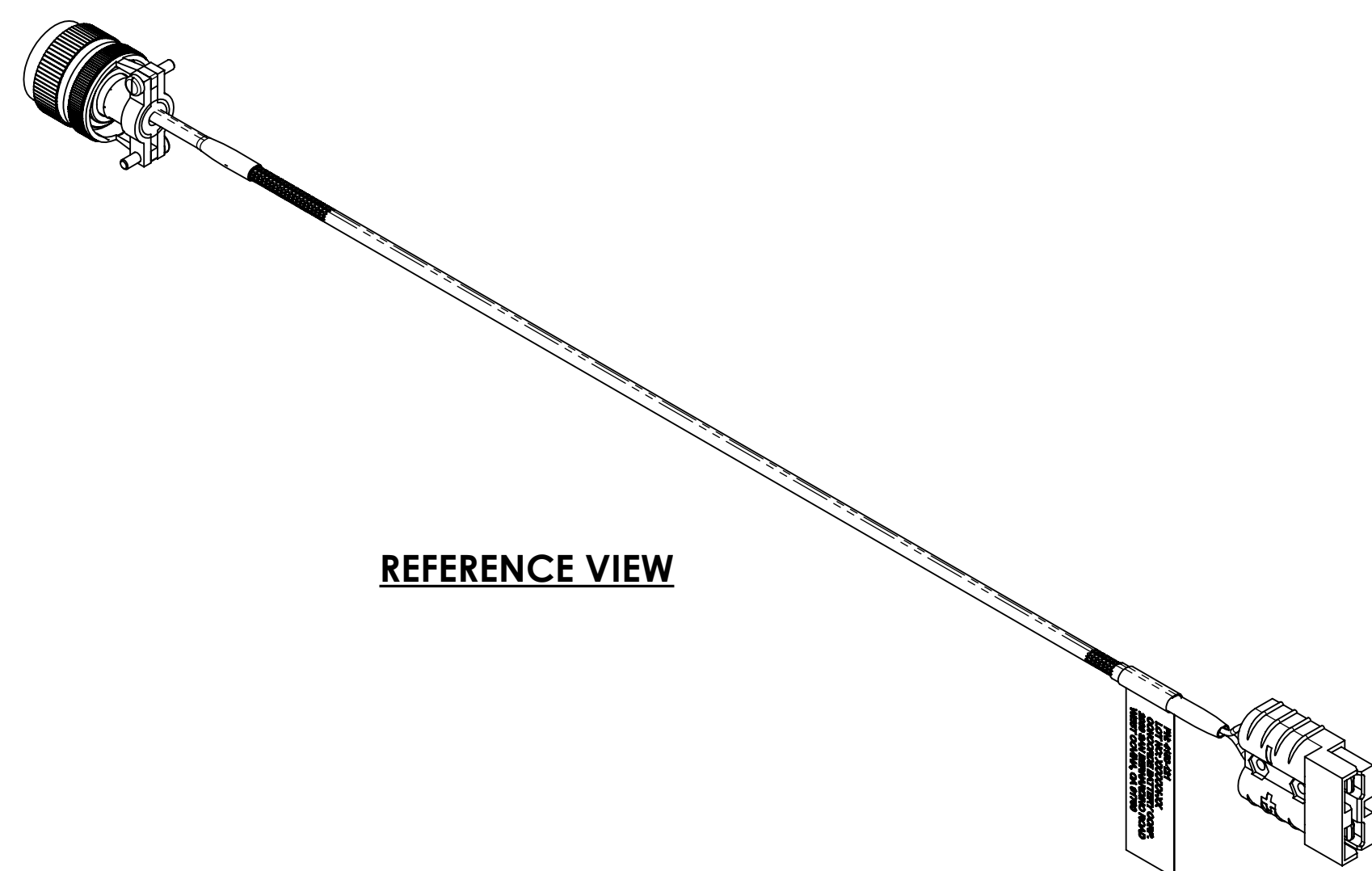


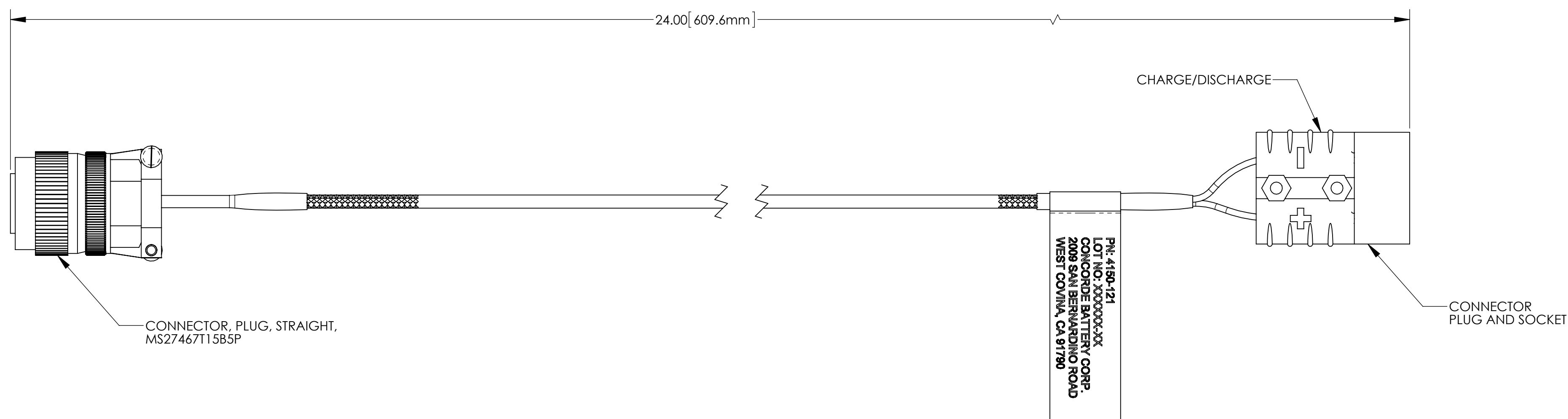
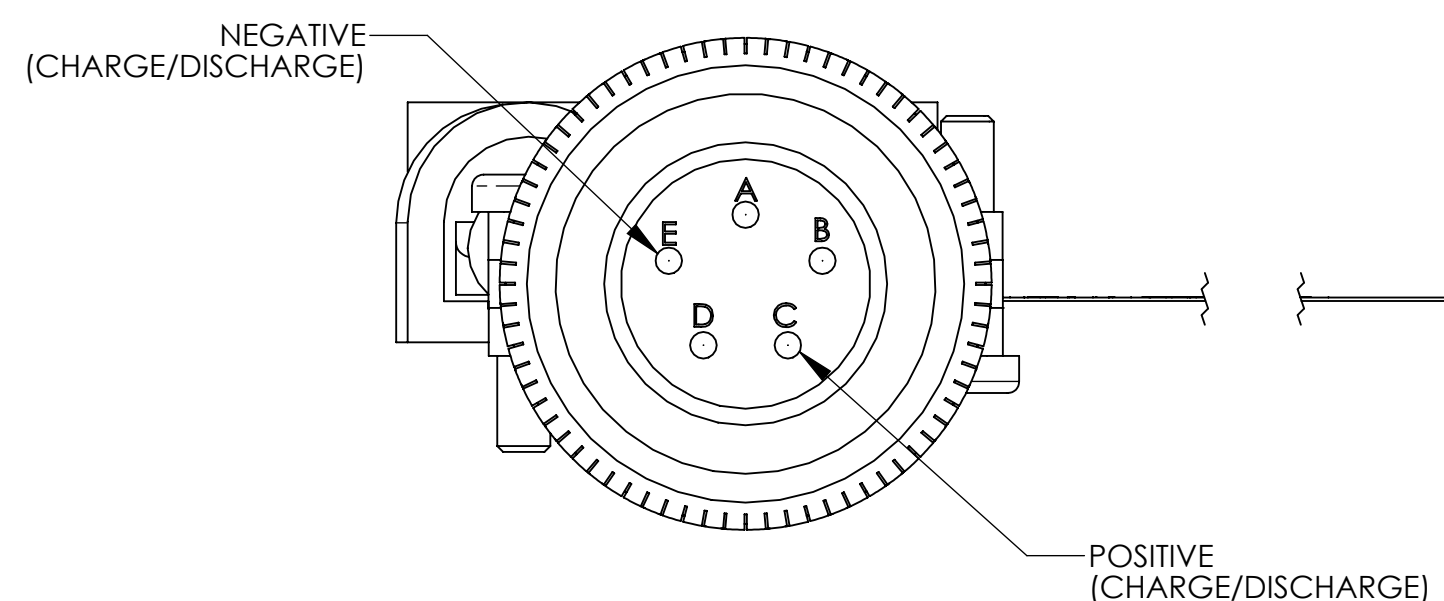
NOTES: UNLESS OTHERWISE SPECIFIED

1. REFER TO DRAWING 900121 FOR ASSEMBLY AND TEST INSTRUCTION.  
PROCEDURE AND ASSEMBLY DRAWINGS ARE FOR INTERNAL USE ONLY.

| REVISIONS |             |      |          |
|-----------|-------------|------|----------|
| REV       | DESCRIPTION | DATE | APPROVED |
|           |             |      |          |



REFERENCE VIEW



P/N: 4150-121  
 LOT NO: XXXXXXX-XX  
 CONCORDE BATTERY CORP.  
 2108 SAN BERNARDINO ROAD  
 WEST COVINA, CA 91790

ENVELOPE DRAWING

|   |                          |          |              |          |  |                                 |              |
|---|--------------------------|----------|--------------|----------|--|---------------------------------|--------------|
| UNLESS OTHERWISE SPECIFIED<br>DIMENSIONS ARE IN INCHES<br>TOLERANCES ARE: |                          |          | CONTRACT NO. |          | CONCORDE BATTERY CORPORATION<br>2009 SAN BERNARDINO RD., W. COVINA, CA 91790 |                                 |              |
| FRACTIONS   | DECIMALS                 | ANGLES   | APPROVALS    | DATE     | TITLE  |                                 |              |
| ±   | .XX ± .03<br>.XXX ± .015 | ±°       | DRAWN        | D. AYALA | 7/23/14  | CHARGE ADAPTER CABLE,<br>RG-121 |              |
| TREATMENT   | NONE                     | CHECKED  | NS           | 8/1/14   | SIZE   | CAGE CODE                       | REV          |
| FINISH  | NONE                     | APPROVED | JBT          | 8/21/14  | D  | 63017                           |              |
| SIMILAR TO  | CALC W/1                 | ISSUED   | AT           | 8/22/14  | SCALE  | 1:1                             |              |
|   |                          |          |              |          | DWG NO.  | 4150-121                        | SHEET 1 OF 1 |